

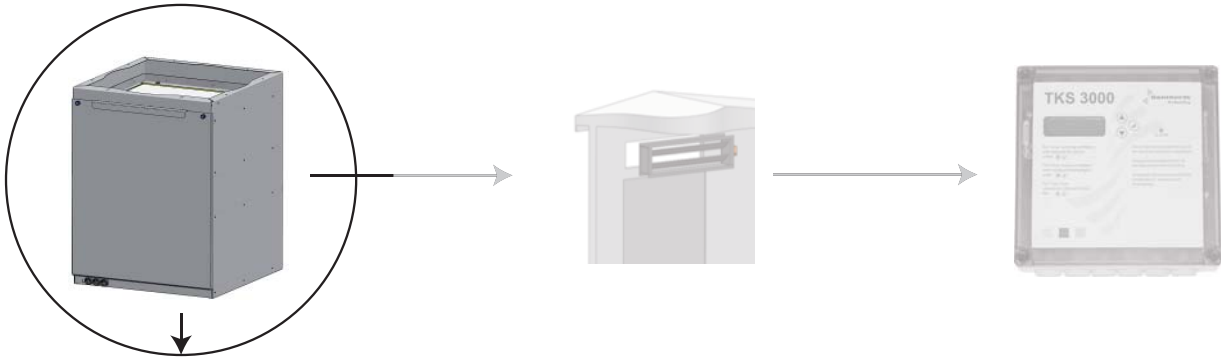
Flexibox fanbox

(No. 368451)

Quick setup guide

Rev. 1.0

Dantherm[®]
CONTROL YOUR CLIMATE



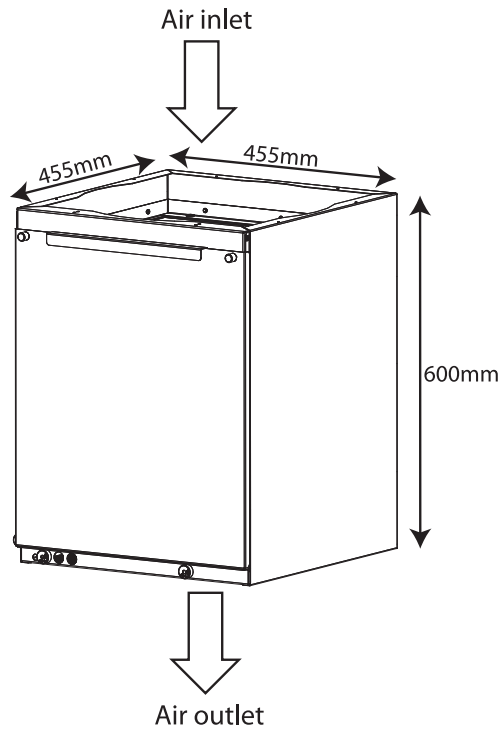
Flexibox 450
(Dantherm no.
368451)

BPD 104 111/1 – Outdoor/square damper – ODC
 BPD 104 111/2 – Outdoor/rectangular damper – ODC
 BDP 104 109/1 – Indoor/square damper – IDC
 BDP 104 109/2 – Indoor/rectangular damper – IDC
 BPD 104 110/1 – Through wall/ square damper – TWC
 BPD 104 110/2 – Through wall/ rectangular damper – TWC

	<p>1 x</p>
	<p>1 x</p>
	<p>TX20</p>
	<p>5-35 x</p>
	<p>1 x $\varnothing 3$ mm</p> <p>screw pre-drilling if needed</p>
	<p>1 x $\varnothing 4$ mm</p> <p>(ODC/IDC only)</p>
	<p>1 x</p>

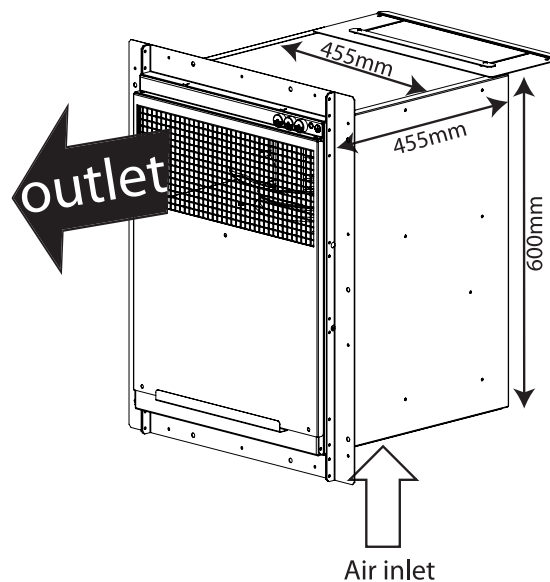
Product
overview

IDS=indoor straight airflow



ODC=outdoor curved airflow

TWC=through wall curved airflow



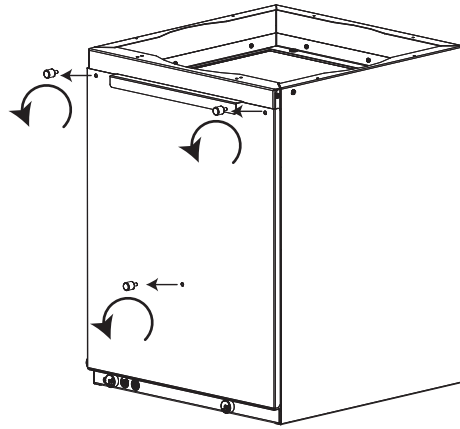
Caution!

- Keep minimum 300mm distance to air in/outlets to ensure correct air flow, and to avoid unwanted light objects to be drawn into the FlexiBox.
- Never do installation or service work with power connected if a Flexibox part is opened.
- Always remove any burr from drilling or cutting, to avoid injuries.

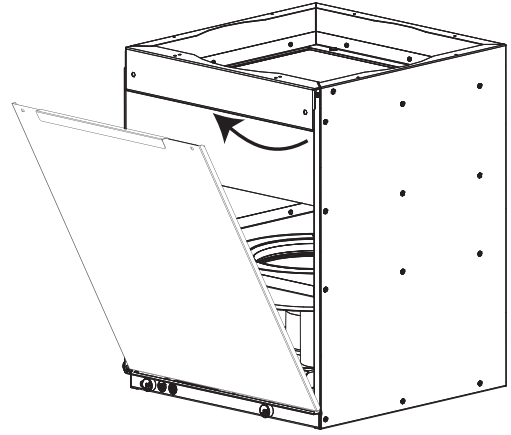
Preparation

(Not valid for TWC version)

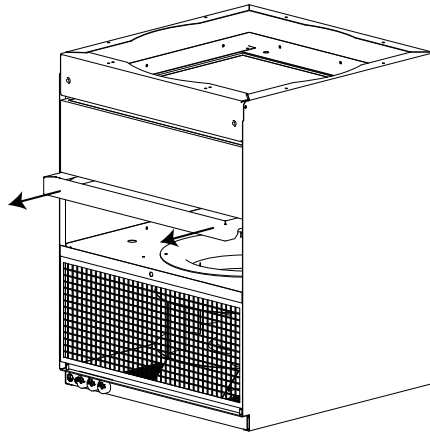
1 / 6



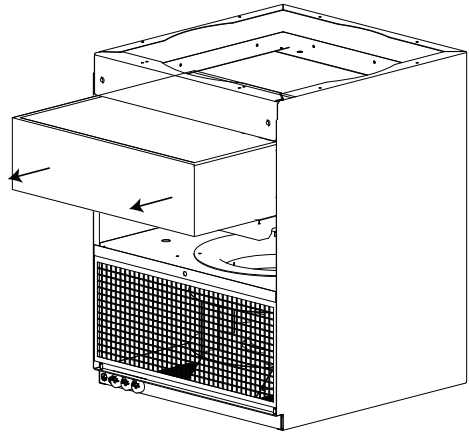
2 / 6



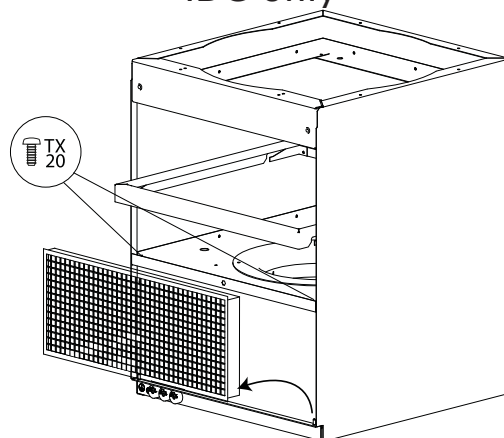
3 / 6



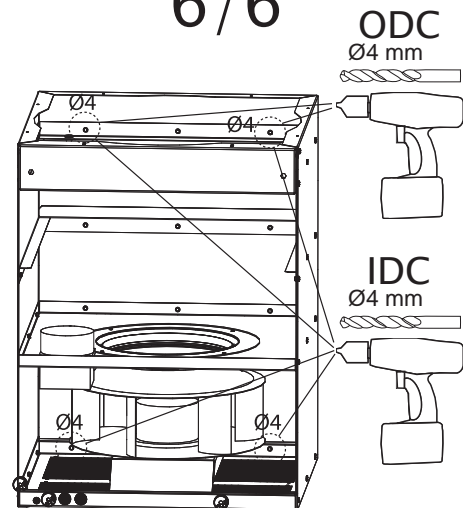
4 / 6



5 / 6
IDC only

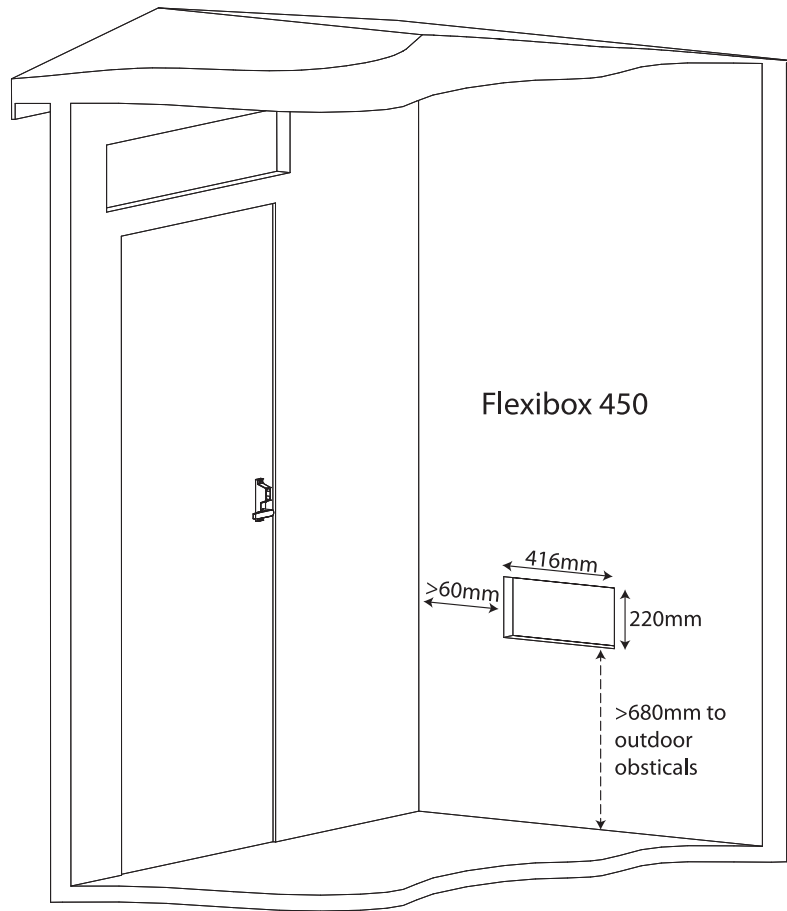
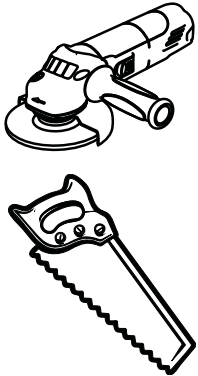


6 / 6



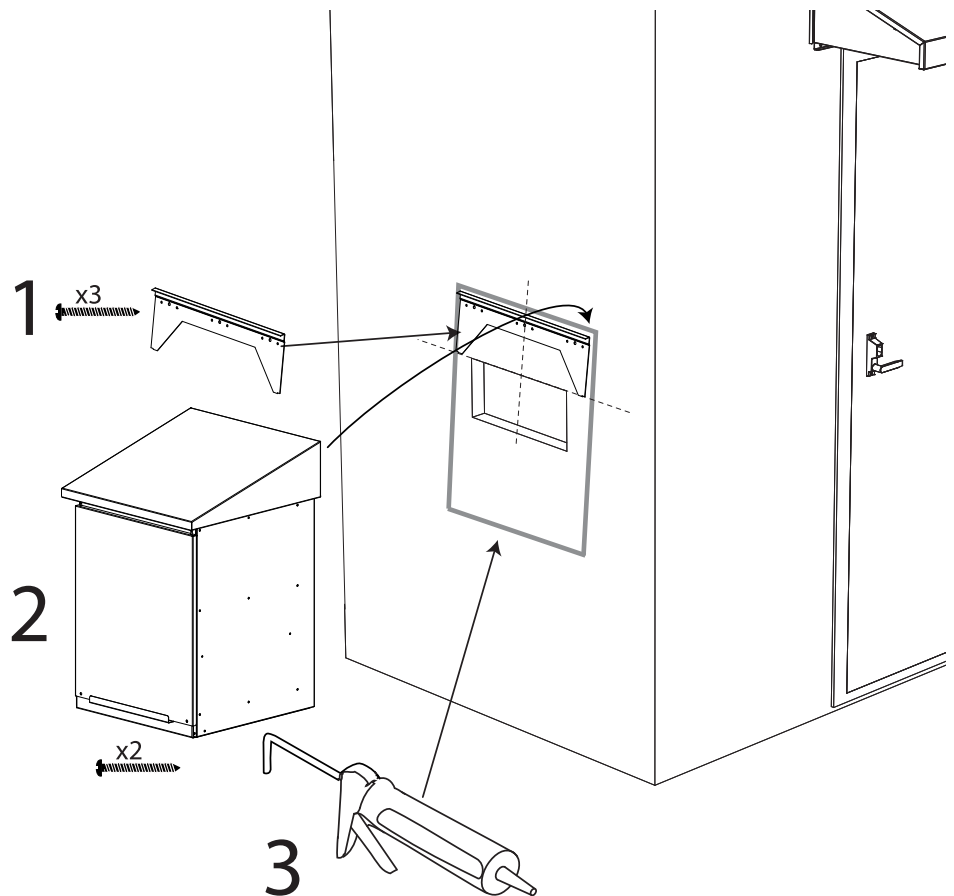
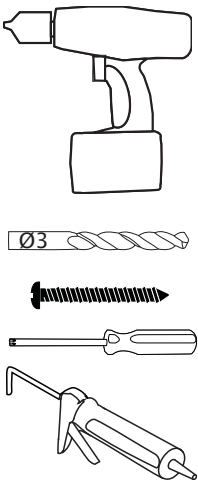
ODC

Step 1 / 2



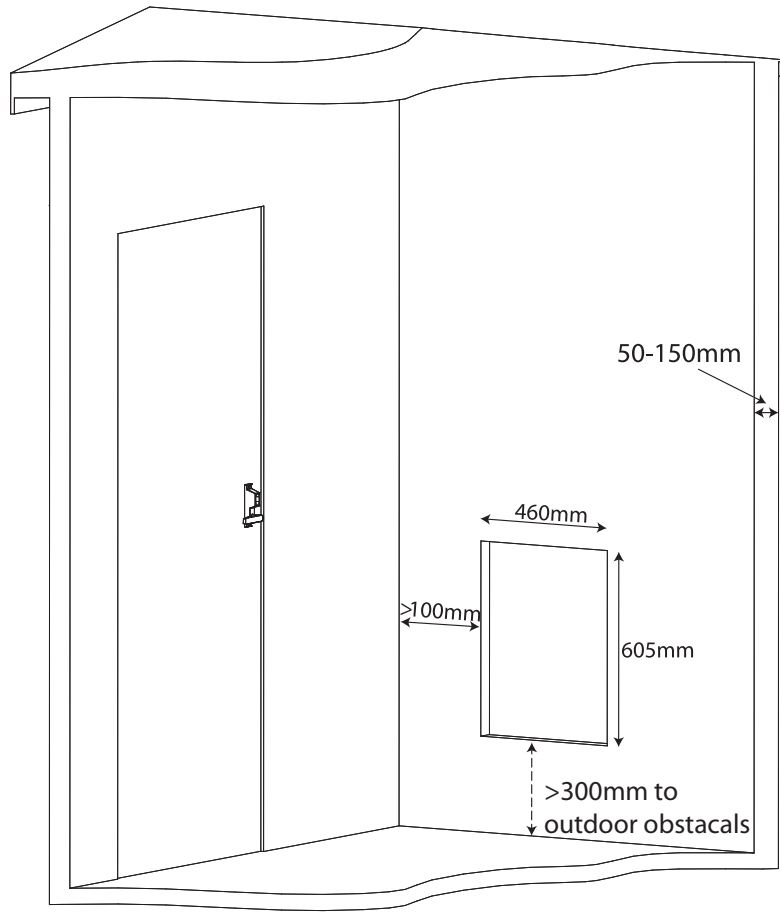
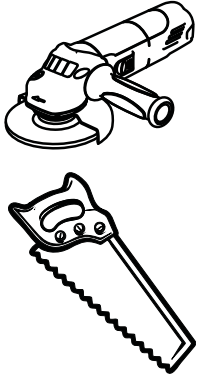
ODC

Step 2 / 2



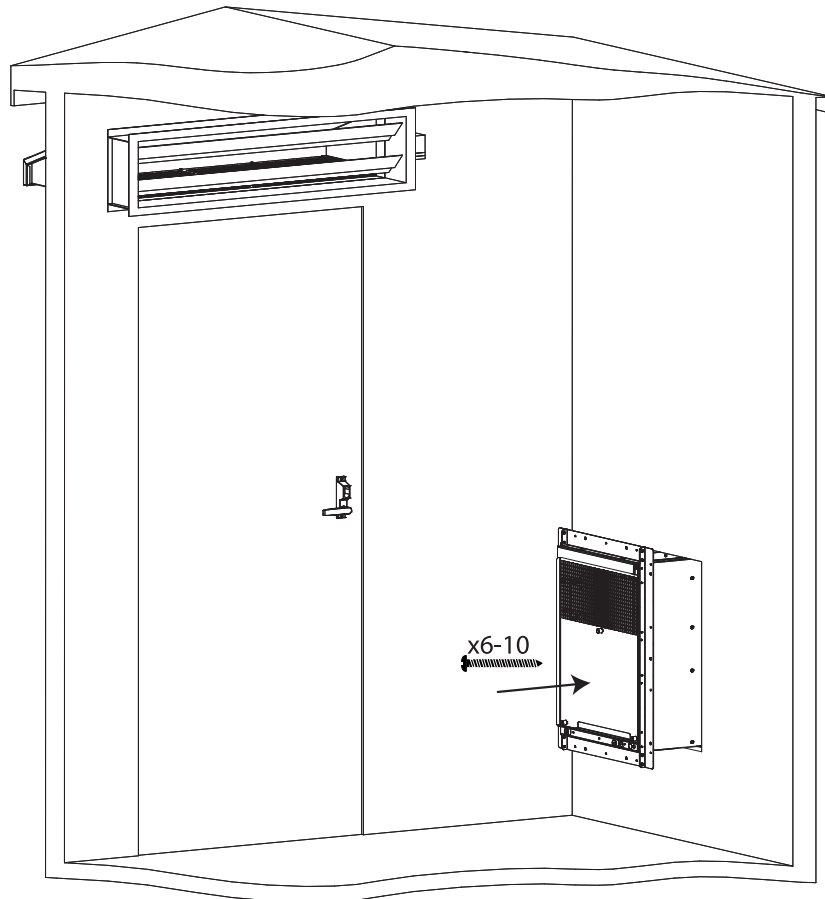
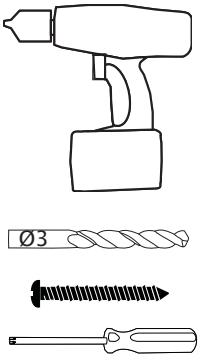
TWC

Step 1 / 4



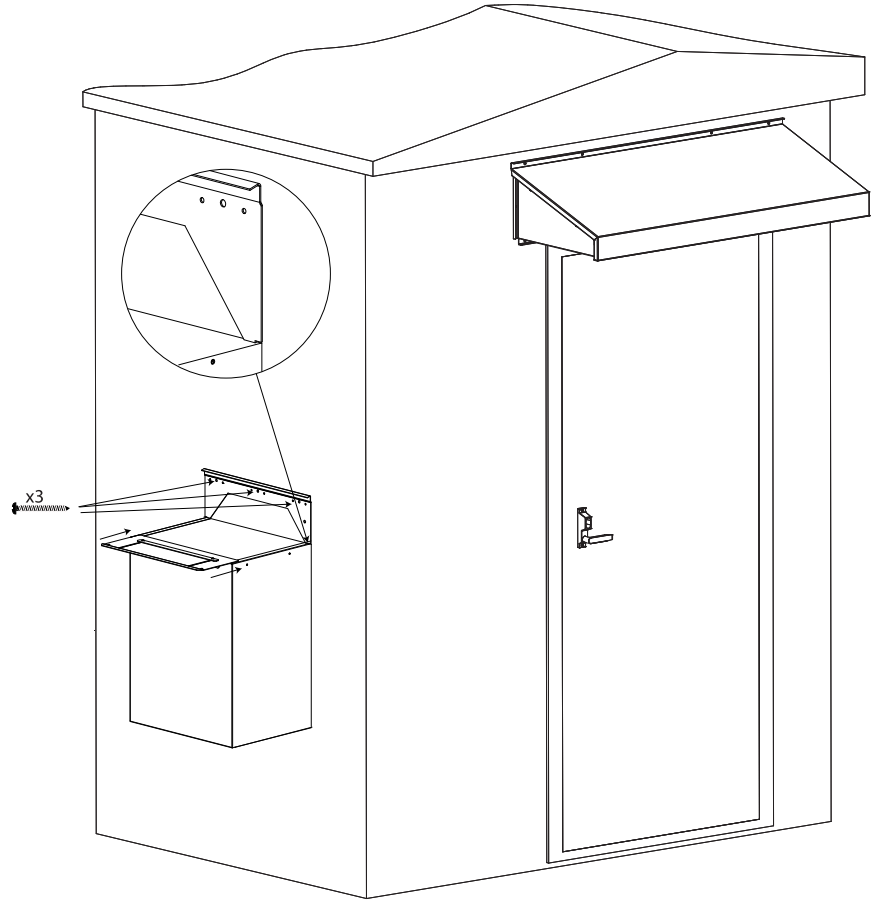
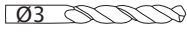
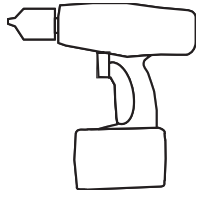
TWC

Step 2 / 4



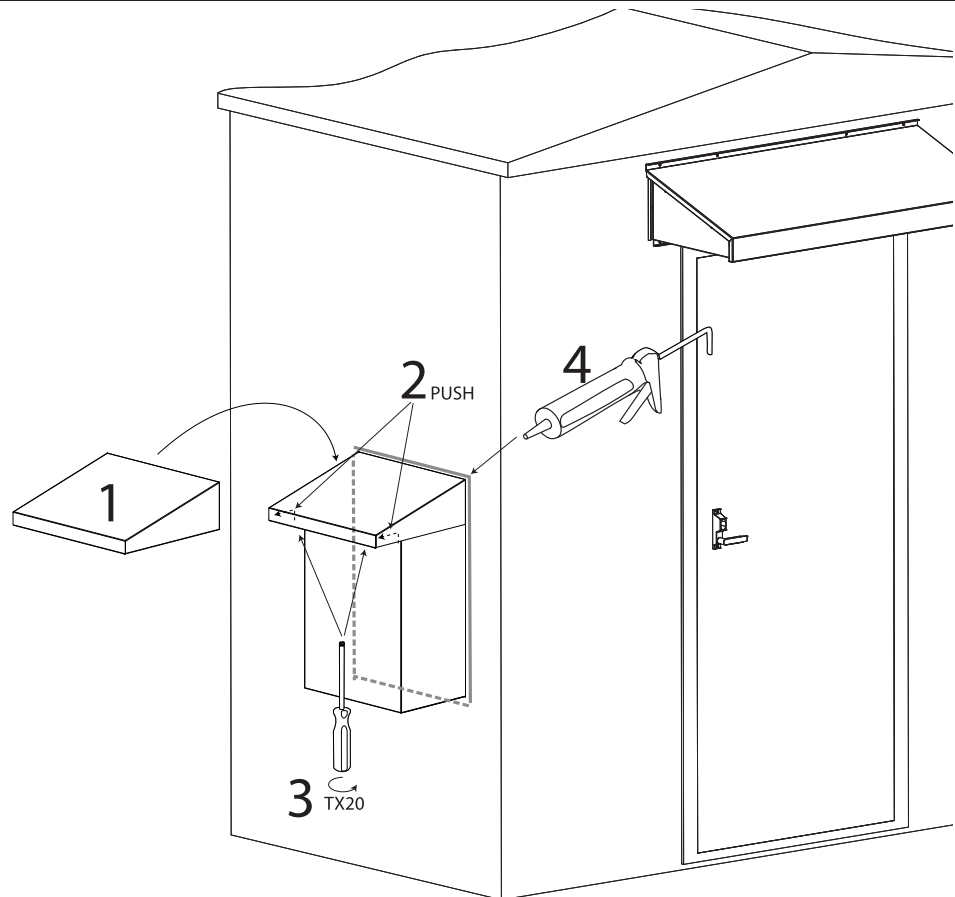
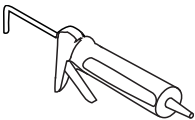
TWC

Step 3/4



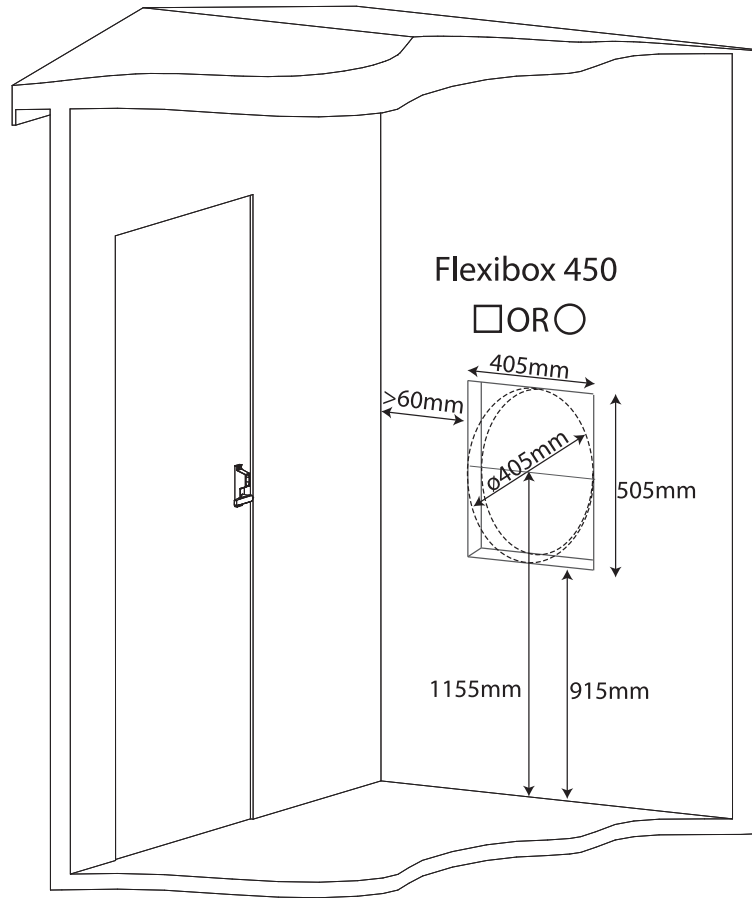
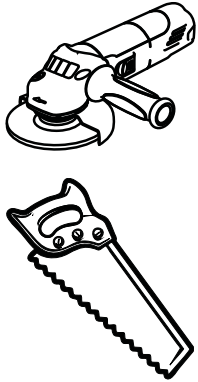
TWC

Step 4/4



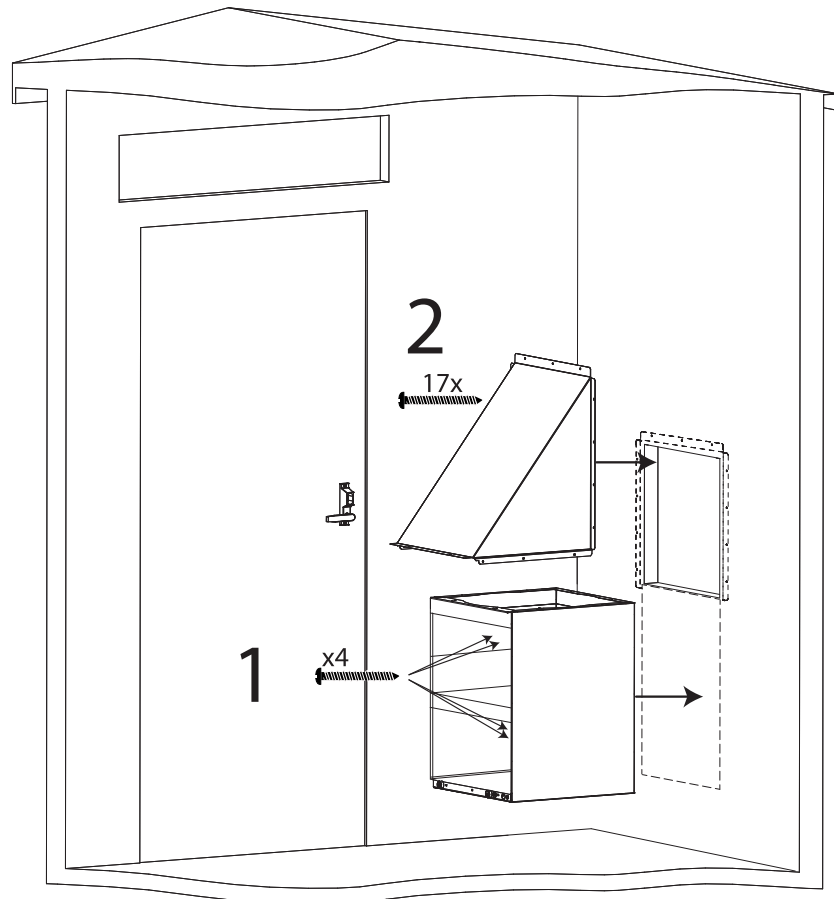
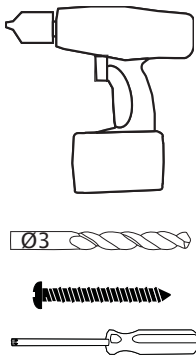
IDS

Step 1 / 3



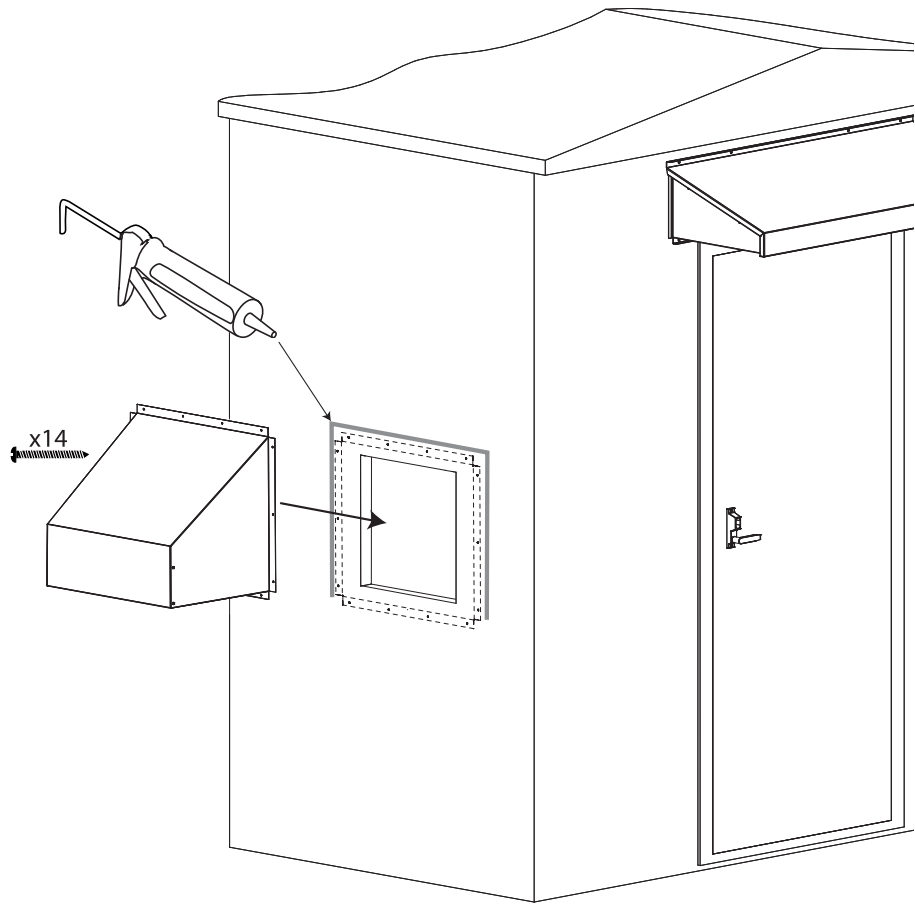
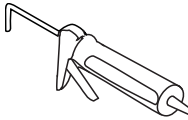
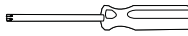
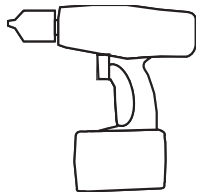
IDS

Step 2 / 3



IDS

Step 3/3



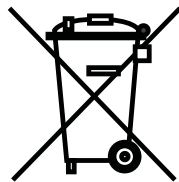
?



QSG

Notes:

Notes:



Dantherm can accept no responsibility for possible errors and changes – Irrtümer und Änderungen vorbehalten – Dantherm n'assume aucune responsabilité pour erreurs et modifications éventuelles – Dantherm se exime de cualquier responsabilidad por errores y cambios realizados.



072343

Dantherm A/S

Marienlystvej 65
7800 Skive
Danmark
www.dantherm.com
service@dantherm.com

Dantherm®
CONTROL YOUR CLIMATE